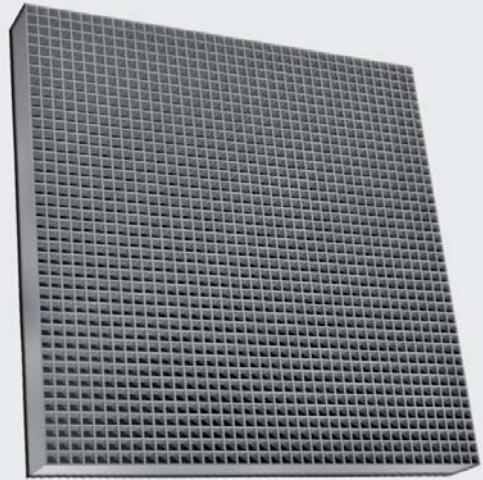


Space Qualified Imaging



Micro Pore Optics X-Ray and UV Imaging

A compact and lightweight alternative to conventional X-Ray optics, the Micro Pore Optic allows a broad range of imaging options for UV, EUV and X-Rays.

Photonis designed the Micro Pore Optic detector to be used in X-Ray imaging applications. Its perfectly square, flat channels are optimized to allow X-Ray and UV photons to be focused or collimated due to the total external reflection at a grazing angle of less incidence.

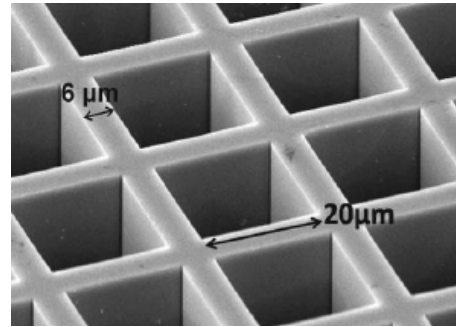
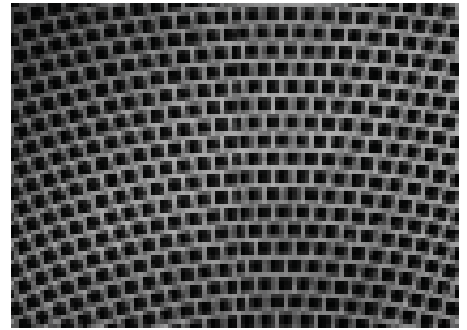
Micro Pore Optics are installed on a number of international space missions. The unique square-pore plate is efficient and can be configured in radially packed or square packed channels. They are provided with Iridium coatings to enhance reflection and films to provide a heat shield.

Micro Pore Optic detectors provide a more robust alternative to the standard X-Ray and UV imaging products available today. Be the first to discover new matter with Photonis' MPO product line.

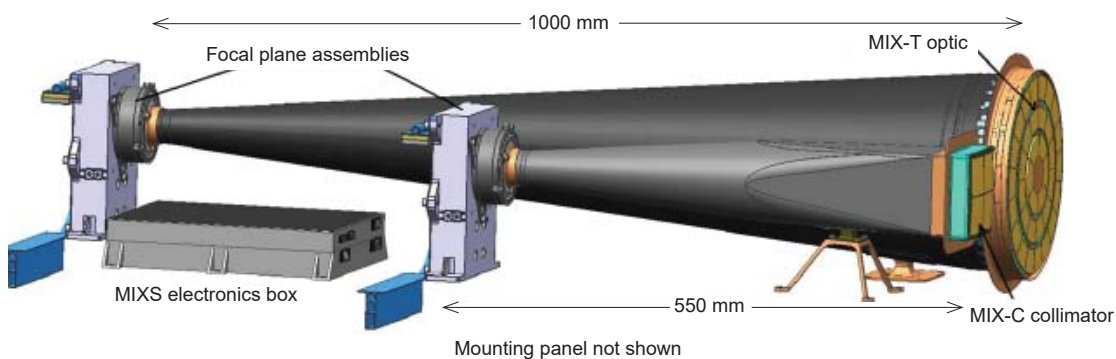
Focus every X-Ray

Photonis' MPO products consist of millions of square channels arranged in specific order - either square packed or radially-packed. Be the first to see more photons with our Micro Pore Optics.

- Millions of square-shaped channels
- Pore sizes of 10, 20, 100 or 700 microns
- Compact design
- Flat, spherical or cylindrical shape
- Customized to your specifications



In order to develop the MPO, Photonis worked closely with the European Space Agency and the University of Leicester UK. The MPO will be on board the ESA mission to Mercury, BepiColombo. The Mercury Imaging X-Ray Spectrometer (MIXS) will be the first instrument in space to be equipped with MPOs for the purpose of fluorescence imaging. It will measure X-Ray emission from the surface of Mercury in the energy range of 0.5 - 8 keV.



Photonis France S.A.S.
Avenue Roger Roncier
19100 Brive La Gaillarde
France
science@photonis.com

www.photonis.com

©2017 Photonis Technologies S.A.S. The information furnished is believed to be accurate and reliable, but is not guaranteed and is subject to change without notice. No liability is assumed by Photonis for its use. Performance data represents typical characteristics as individual product performance may vary. Customers should verify that they have the most current Photonis product information before placing orders. No claims or warranties are made as to the application of Photonis products. Pictures may not be considered as contractually binding. This document may not be reproduced, in whole or in part, without the prior written consent of Photonis.