

AP-TOF

40mm Time-of-Flight Detector



Application

- ✓ High performance, fast timing detectors for TOF mass spectrometry

Features

- ✓ Improved mass resolution
- ✓ 650 picosecond pulse width
- ✓ 300 picosecond rise time
- ✓ 40mm Ø collection
- ✓ Low profile 50Ω conical anode
- ✓ Replaceable MCP cartridge

The PHOTONIS **40mm Time-of-Flight Detector** the largest collection area of any TOF detectors available as well as incorporating the patented features that provide previously unobtainable levels of mass resolution, dynamic range, and detection sensitivity for Time-of-Flight Mass Spectrometry.

In MALDI-TOF, ESI-TOF, or custom TOF Mass Spec, the mass resolution of your instrument is often determined by the detector. With our exclusive small pore microchannel plate technology and a new low profile, 50Ω impedance matched conical anode, PHOTONIS Time-of-Flight Detector provides sub-nanosecond pulse widths - nearly ten times faster than conventional detectors. In addition, the large collection area allows more ions to be collected, further increasing instrument sensitivity.

Our exclusive MCPs, with 5 microns diameter pores, offer one of the highest channel densities available. This channel density provides **dynamic range improvements** of ten times that of conventional microchannel plates.

These MCPs also give the Time-of-Flight detector **superior sensitivity** and **excellent temporal resolution**. The flat input surface provides uniform ion conversion and the higher aspect ratio of the MCPs provides gains in excess of 10^7 .

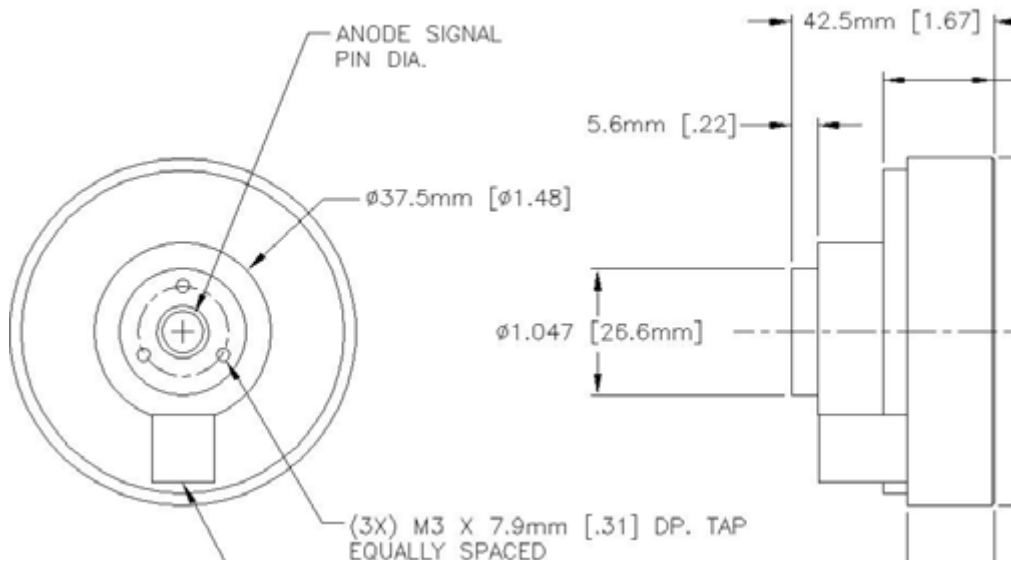
MCP replacement is a **snap** with PHOTONIS exclusive **Quick-Fit**® MCP cartridge. Each cartridge includes a Chevron™ set of two Long-Life™ small pore Extended Dynamic Range MCPs, and a high transmission grid mounted in a rugged module. This module can be purchased separately and allows the operator to replace MCPs quickly and easily.

General Specifications		Unit
Microchannel Plate	Long-Life™ Extended Dynamic Range	
Gain (minimum at 2400V)	4 x 10 ⁶	
Pulse Width (Typical)	650	ps
Rise Time (Typical)	300	ps
Dark Count (maximum at 1 x 10 ⁷ Gain)	5	cps/cm ²
Resistance (reference)	25 - 75	MΩ
Detection Diameter	40	mm
Operating Temperature Range	-50 to 100	°C
Operating Pressure (maximum)	1.0 x 10 ⁻⁶	Torr
Vacuum Flange	6" conflat available	
Electrical Connections	High Voltage: Output Signal:	SHV available with flange BNC available with flange SMA output connector available
DC Offset Voltage on Output Signal (maximum)	500	V

AP-TOF

Detector Configuration

(dimensions in inches except when specified)



The information furnished is believed to be accurate and reliable, but is not guaranteed and is subject to change without notice. No liability is assumed by PHOTONIS for its use. Performance data represents typical characteristics as individual product performance may vary. Customers should verify that they have the most current PHOTONIS product information before placing orders. No claims or warranties are made as to the application of PHOTONIS products. Pictures may not be considered as contractually binding. This document may not be reproduced, in whole or in part, without the prior written consent of PHOTONIS.